



Photoionization PID Sensor

User's Manual V1.0

(Model: 4R-PID)

Valid from: 2020-08

Zhengzhou Winsen Electronics Technology Co., Ltd

Statement

This manual copyright belongs to Zhengzhou Winsen Electronics Technology Co., LTD. Without the written permission, any part of this manual shall not be copied, translated, stored in database or retrieval system, also can't spread through electronic, copying, record ways.

Thanks for purchasing our product. In order to let customers use it better and reduce the faults caused by misuse, please read the manual carefully and operate it correctly in accordance with the instructions. If users disobey the terms or remove, disassemble, change the components inside of the sensor, we shall not be responsible for the loss.

The specific such as color, appearance, sizes ...etc., please in kind prevail.

We are devoting ourselves to products development and technical innovation, so we reserve the right to improve the products without notice. Please confirm it is the valid version before using this manual. At the same time, users' comments on optimized using way are welcome.

Please keep the manual properly, in order to get help if you have questions during the usage in the future.

Zhengzhou Winsen Electronics Technology CO., LTD

Photoionization PID Sensor 4R-PID

Product Introduction

4R-PID is a high-performance photoionization PID sensor. It has the characteristics of high sensitivity, wide detection range and wide spectrum. It can detect thousands of volatile organic compounds (VOCs) and some inorganic vapors in different application fields. The detection range starts from 1ppb and is up to 10000 ppm, with extremely fast response speed and high resolution. It can be used in kinds of portable and fixed instruments and various of analytical instruments.



Features

High sensitivity

Wide detection range

Fast response time;

Reliable stability

Long service life

World leading technology.

Main Application

Emergency Response

Industrial Hygiene

Personal Safety

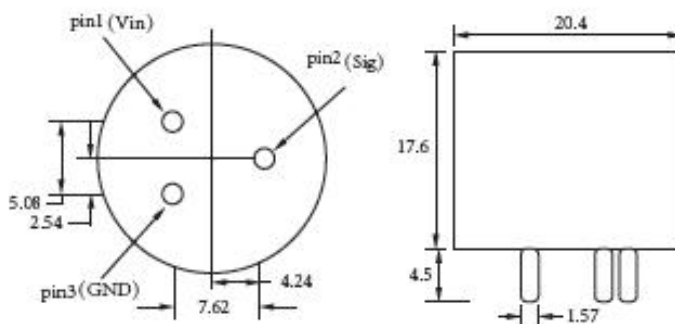
Detection of VOCs

Environmental Quality Monitoring

Oil and Petrochemical Safety

Soil Pollution Management

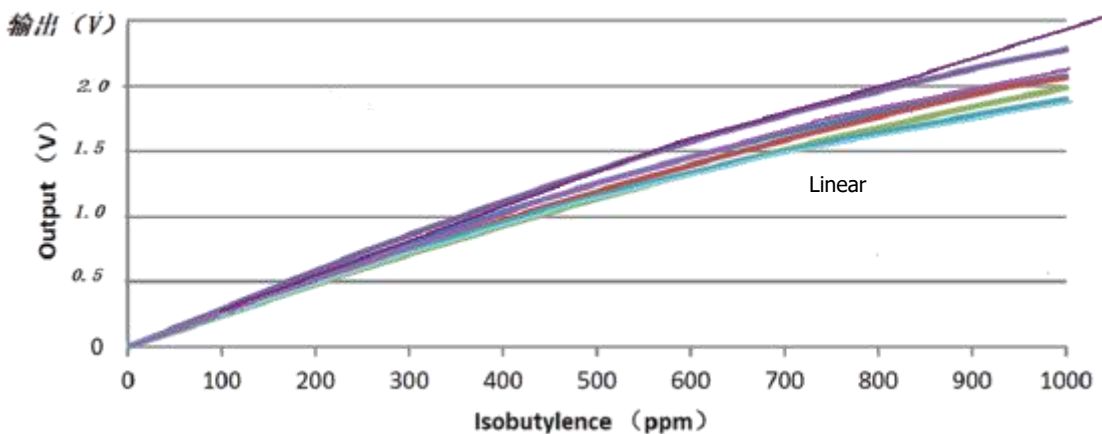
Dimension (unit: mm)



Technical Parameters

Detection Range (ppm)	10ppm	20ppm	40ppm	100ppm	300ppm	1000ppm	2000ppm	6000ppm	10000 ppm
Resolution	1ppb	5ppb	10ppb	25ppb	75ppb	250ppb	500ppb	500ppb	2ppm
Sensitivity (mv/ppm)	>40	>20	>10	>5	>3	>1	>0.3	>0.1	>0.1
Target Gas	VOC, Energy≤10.6eV Volatile Gases								
Working Voltage	3~5 V								
Zero Voltage	U0>20 mV								
Output Voltage	0.02~2V (Up to3.3 V)								
Response Time (T90)	≤5 S								
Working Tem	-40~60 °C								
Accuracy	±2% (No Condensation)								
Humidity	0~99% (No Condensation)								
Working Pressure	800~1200 mbar								
Storage Tem	0~25 °C								
Warranty	12 Months								

Signal Output



Cautions:

The sensor should be preheated for at least half an hour for the first time;

When calibrating, please don't operate it until the sensor is completely stable, and the zero point should be calibrated in dry clean air;

It is recommended to use about 50% isobutylene gas as calibration gas;

It is forbidden to hot plug the sensor when power on;

It is forbidden to weld the sensor pins. It is necessary to use a matching socket for connection, and the socket is allowed to be welded;

The sensor shall not be subjected to excessive impact and vibration;

Do not use the sensor in systems involving personal safety;

Do not install the sensor in the strong air convection environment to avoid the fluctuation of indication value or damage to the sensor due to the air pressure;

Do not use or store in the environment above the max detection range for a long time;

The signal from the sensor can be AD sampled directly.

Zhengzhou Winsen Electronics Technology Co., Ltd

Add: No.299, Jinsuo Road, National Hi-Tech Zone,
Zhengzhou 450001 China

Tel: +86-371-67169097/67169670

Fax: +86-371-60932988

E-mail: sales@winsensor.com

Website: www.winsen-sensor.com