



**Electrochemical
Oxygen Sensor
(Model: MEu-2O2)**

Manual

Version:1.0

Issue Date:2022-5-31

Zhengzhou Winsen Electronic Technology Co., Ltd

Statement

This manual copyright belongs to Zhengzhou Winsen Electronics Technology Co., LTD.

Without the written permission, any part of this manual shall not be copied, translated, stored in database or retrieval system, also can't spread through electronic, copying, record ways.

Thanks for purchasing our product. In order to let customers use it better and reduce the faults caused by misuse, please read the manual carefully and operate it correctly in accordance with the instructions. The data provided in this manual is obtained under the conditions of 20°C, 50%RH and 1atm. This data is the data obtained by the test system of Winsen in the initial stage after the manufacture of the sensor. This data is for reference only.

If users disobey the terms or remove, disassemble, change the components inside of the sensor, we shall not be responsible for the loss.

The specific such as color, appearance, sizes &etc, please in kind prevail.

We are devoting ourselves to products development and technical innovation, so we reserve the right to improve the products without notice. Please confirm it is the valid version before using this manual. At the same time, users' comments on optimized using way are welcome.

Please keep the manual properly, in order to get help if you have questions during the usage in the future.

Zhengzhou Winsen Electronics Technology CO., LTD

MEu-2O2 Oxygen Sensor

Description

MEu-2O2 oxygen sensor is a fixed potential type sensor. Oxygen undergoes a reduction reaction on the working electrode, and at the same time, a corresponding oxidation reaction occurs on the counter electrode, releasing charges to form a current. The current is proportional to the oxygen concentration and follows Faraday's law.

The size can determine the level of oxygen concentration.

Features

* Low power consumption, high precision, wide linear range, strong anti-interference ability, Excellent repeatability and stability

Application

* Widely used in oxygen concentration detection in industries, mines, warehousing and environmental protection

Technical parameter

Table 1

Item	Parameter
Detection gas	Oxygen(O2)
Measurement Range	0~25% VOL
Max Range	30% VOL
Sensitivity	0.10±0.02mA (in the air)
Response time (T ₉₀)	≤15S
Load resistance (recommended)	100 Ω
Repeatability	<2% output value
Output linearity	linear
Working temperature	-20℃~50℃
Working humidity	15%~90% RH
Working pressure	1atm±10%
long-term drift	<2%/Month

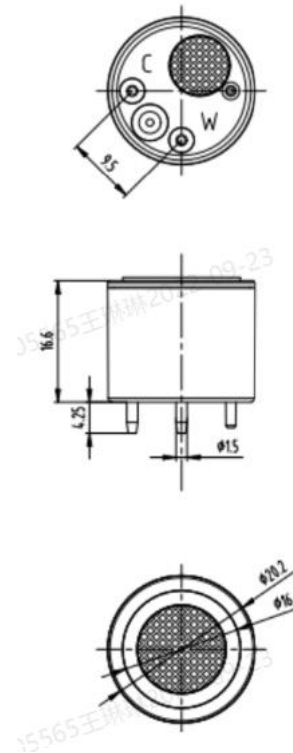


Figure 1: Sensor structure

Schematic diagram of sensor application circuit

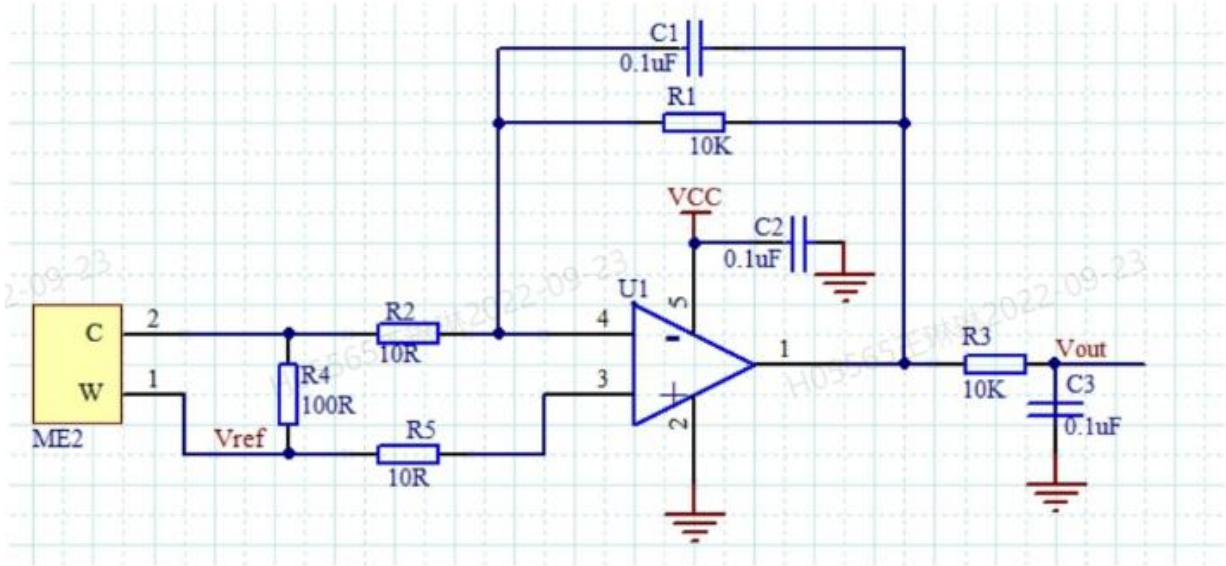


Figure 2 MEU-202 test circuit

Sensor Characterization

100% N₂

Signal value output in different concentrations of oxygen

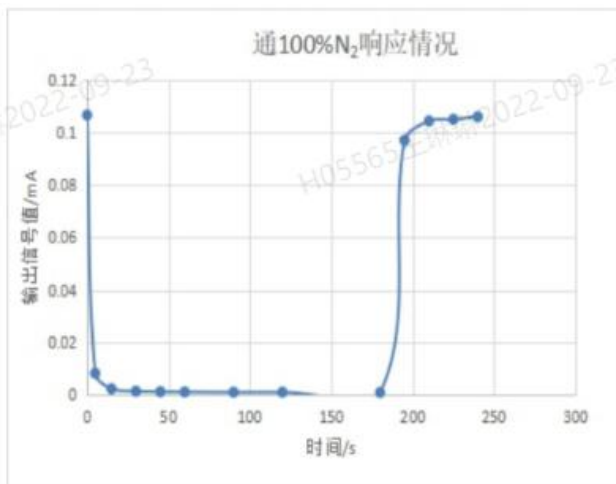


Figure 3: Sensitivity of the sensor, corresponding recovery

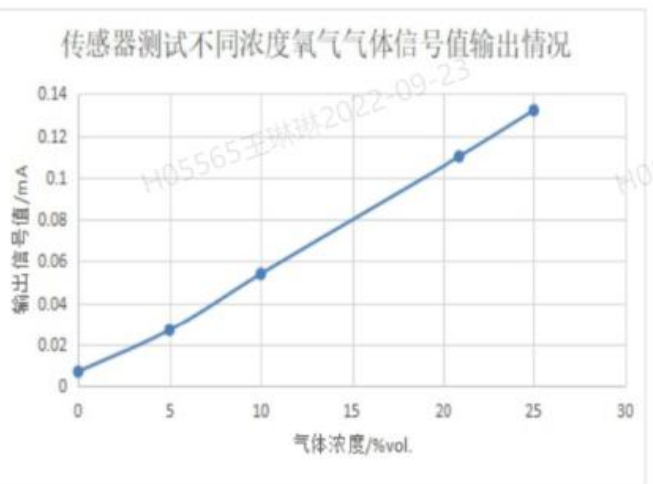


Figure 4: Sensor Linear Curve

Cautions

- Soldering is disabled during installation;
- The pin of the tube must not be broken or bent;
- Do not disassemble the sensor at will. Disassembling the sensor will cause electrolyte leakage and cause harmful consequences;
- The sensor avoids contact with organic solvents (including silicone rubber and other adhesives) coatings, pharmaceuticals, fuel oils and high concentrations of gases;
- All electrochemical sensors cannot be completely encapsulated with resin materials, nor can they be immersed in an oxygen-free environment for a long time, otherwise the performance of the sensor will be damaged;
- All electrochemical sensors should not be used in environments containing corrosive gases for a long time, corrosive gases will damage the sensor;
- The gas zero measurement must be carried out in a clean atmosphere.
- When testing and applying the sensor, avoid vertical air intake from the front;
- The air inlet of the sensor must not be blocked or contaminated;
- The sensor must not be subjected to excessive shock or vibration;
- Do not use if sensor's housing is damaged or deformed;
- Slow recovery to initial state after prolonged use in high-concentration gas environments;
- When the sensor is stored, the working electrode and the counter electrode should be disconnected.
- Do not use hot melt adhesive or sealant with curing temperature higher than 80°C to encapsulate the sensor;
- Prohibit long-term storage and use in high-concentration alkaline gas;

Zhengzhou Winsen Electronics Technology Co., Ltd

Add.: NO.299 Jin Suo Road, National Hi-Tech Zone,
Zhengzhou, 450001 China

E-mail: sales@winsensor.com

Website: www.winsen-sensor.com