



Carbon Monoxide Gas Sensor

(Model: MQ-7B)

Manual

Version: 1.6

Valid from: 2021-07-01

Zhengzhou Winsen Electronics Technology Co., Ltd

Statement

This manual copyright belongs to Zhengzhou Winsen Electronics Technology Co., LTD. Without the written permission, any part of this manual shall not be copied, translated, stored in database or retrieval system, also can't spread through electronic, copying, record ways.

Thanks for purchasing our product. In order to let customers use it better and reduce the faults caused by misuse, please read the manual carefully and operate it correctly in accordance with the instructions. If users disobey the terms or remove, disassemble, change the components inside of the sensor, we shall not be responsible for the loss.

The specific such as color, appearance, sizes &etc, please in kind prevail.

We are devoting ourselves to products development and technical innovation, so we reserve the right to improve the products without notice. Please confirm it is the valid version before using this manual. At the same time, users' comments on optimized using way are welcome.

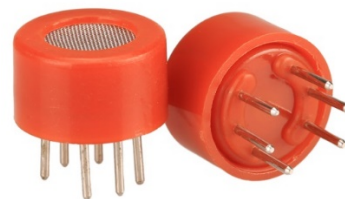
Please keep the manual properly, in order to get help if you have questions during the usage in the future.

Zhengzhou Winsen Electronics Technology CO., LTD

MQ-7B Semiconductor Sensor for Carbon Monoxide

Profile

Sensitive material of MQ-7B gas sensor is SnO_2 , which with lower conductivity in clean air. It make detection by method of cycle high and low temperature, and detect CO at low temperature (heated by 1.5V).The sensor's conductivity gets higher along with the CO gas concentration rising. At high temperature (heated by 5.0V),it cleans the other gases adsorbed at low temperature. Users can convert the change of conductivity to correspond output signal of gas concentration through a simple circuit.



Features

It has good sensitivity to carbon monoxide in wide range, and has advantages such as long lifespan, low cost and simple drive circuit &etc.

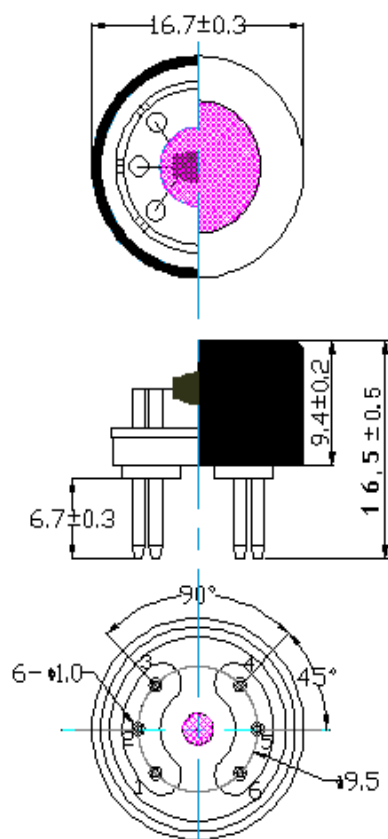
Main Applications

It is widely used in domestic CO gas leakage alarm, industrial CO gas alarm and portable CO gas detector.

Technical Parameters

Stable.1

Model		MQ-7B	
Sensor Type		Semiconductor	
Standard Encapsulation		Plastic cap	
Target Gas		carbon monoxide	
Detection range		10~500ppm CO	
Standard Circuit Conditions	Loop Voltage	V_c	5.0V ± 0.1V DC
	Heater Voltage	V_H	5.0V ± 0.1V AC or DC (High temp.) 1.5V ± 0.1V AC or DC (Low temp.)
	Heater Time	T_L	60 S ± 1S (High temp.) 90 S ± 1S (Low temp.)
	Load Resistance	R_L	Adjustable
Sensor character under standard test conditions	Heater Resistance	R_H	30Ω ± 3Ω (room temp.)
	Heater consumption	P_H	≤ 950mW
	Sensitivity	S	$R_s(\text{in air})/R_s(\text{in 150ppm CO}) \geq 5$
	Output Voltage	V_s	2.5V ~ 4.3V (in 150ppm CO)
	Concentration Slope	α	≤ 0.6 ($R_{300ppm}/R_{50ppm CO}$)
Standard test conditions	Tem. Humidity	20°C ± 2°C; 55% ± 5%RH	
	Standard test circuit	V_c : 5.0V ± 0.1V; V_H (High temp.): 5.0V ± 0.1V V_H (Low temp.): 1.5V ± 0.1V	
	Preheat time	Not less than 48 hours	
	O2 content	21% (not less than 18%) O2 concentration effects initial value, sensitivity and repeatability.	
	Preheat time	Over 48 hours	
Lifespan		10 years	


Fig1. Sensor Structure

Unit: mm

Tolerance: ± 0.1mm

Basic Circuit

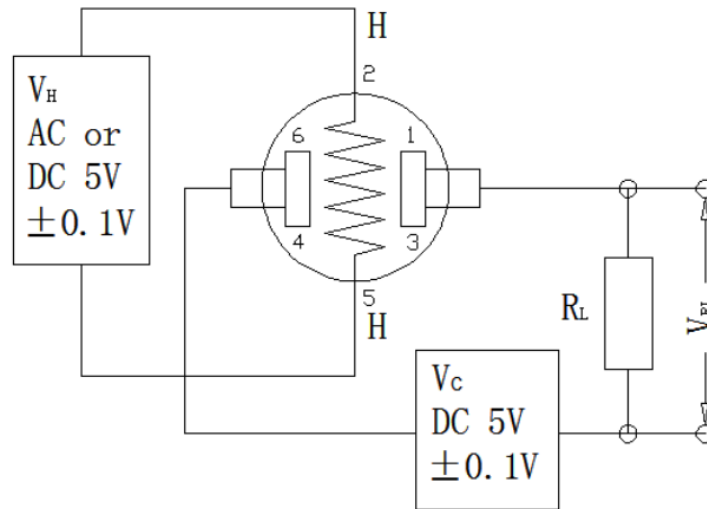


Fig2. MQ-7B Test Circuit

Instructions: The above fig is the basic test circuit of MQ-7B. The sensor requires two voltage inputs: heater voltage (V_H) and circuit voltage(V_C). V_H is used to supply standard working temperature to the sensor and it can adopt DC or AC power. For this model sensor, V_H should be at $1.5V \pm 0.1V$ low voltage when detect CO while should be at $5V \pm 0.1V$ at non detection status(resuming period). V_{RL} is the voltage of load resistance R_L which is in series with sensor. V_C supplies the detect voltage to load resistance R_L and it should adopts DC power. Calculation formula:

Resistance of Sensitive materials (R_s)= $(V_C/V_{RL}-1) \times R_L$

Power consumption of Sensitive materials (P_s)= $V_C^2 \times R_s / (R_s + R_L)^2$

Description of Sensor Characters

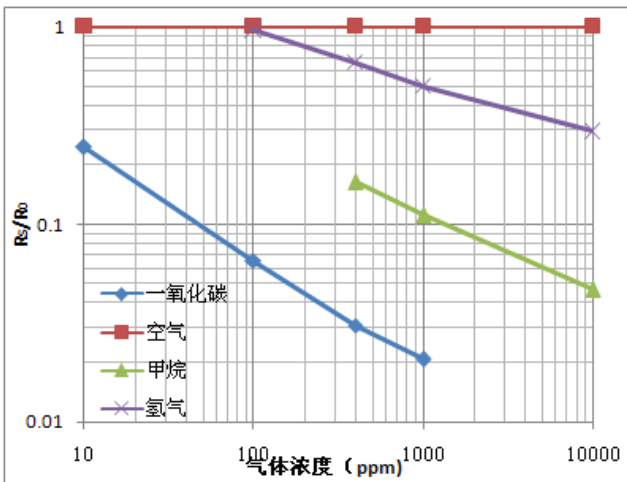


Fig3. Typical Sensitivity Curve

The ordinate is resistance ratio of the sensor (R_s/R_0), the abscissa is concentration of gases. R_s means resistance in target gas with different concentration, R_0 means resistance of sensor in clean air. All tests are finished

under standard test conditions.

TEL: 86-371-6716909 / 67169670 FAX: 86-371-60932988

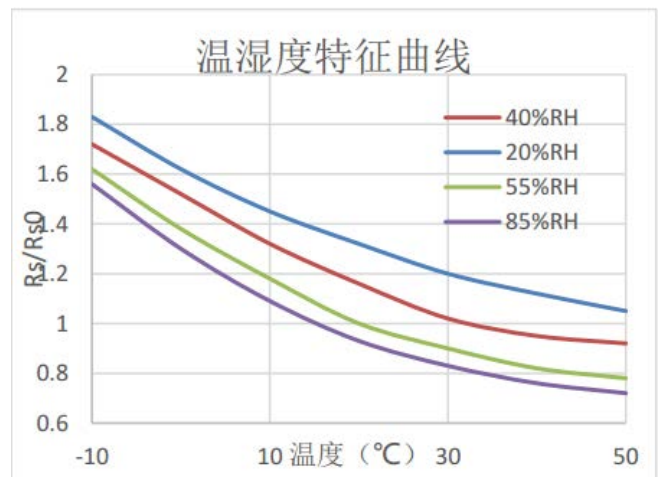


Fig4. Typical temperature/humidity characteristics

The ordinate is resistance ratio of the sensor (R_s/R_{s0}). R_s means resistance of sensor in 150ppm CO gas under different tem. and humidity. R_{s0} means resistance of the sensor in 150ppm CO gas under 20°C/55%RH.

Email: sales@winsensor.com

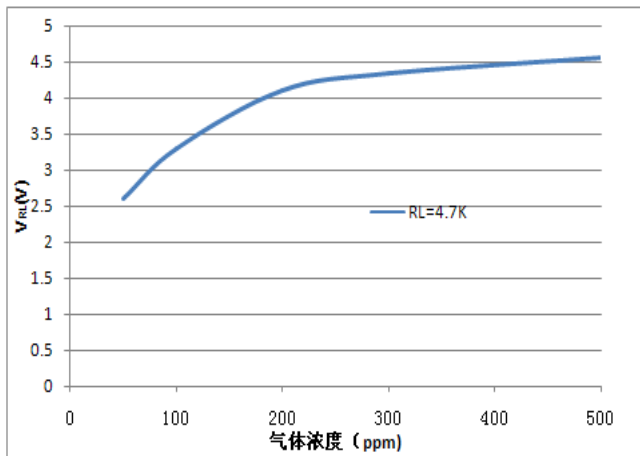


Fig5.Sensity Curve

Fig5 shows the V_{RL} in CO gas with different concentration. The resistance load R_L is 4.7 K Ω and the test is finished in standard test conditions.

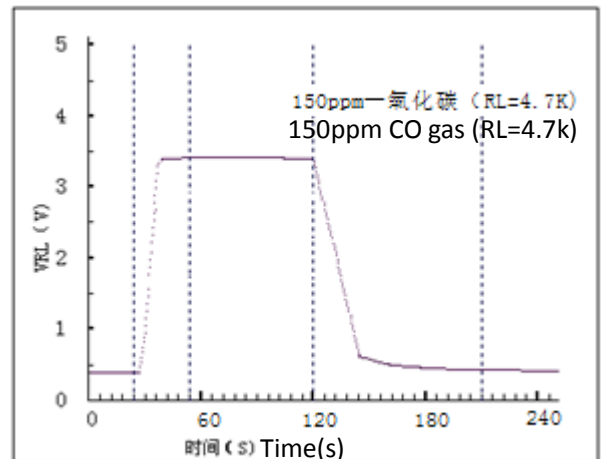


Fig6.Responce and Resume

Fig5 shows the changing of V_{RL} in the process of putting the sensor into target gas and removing it out.

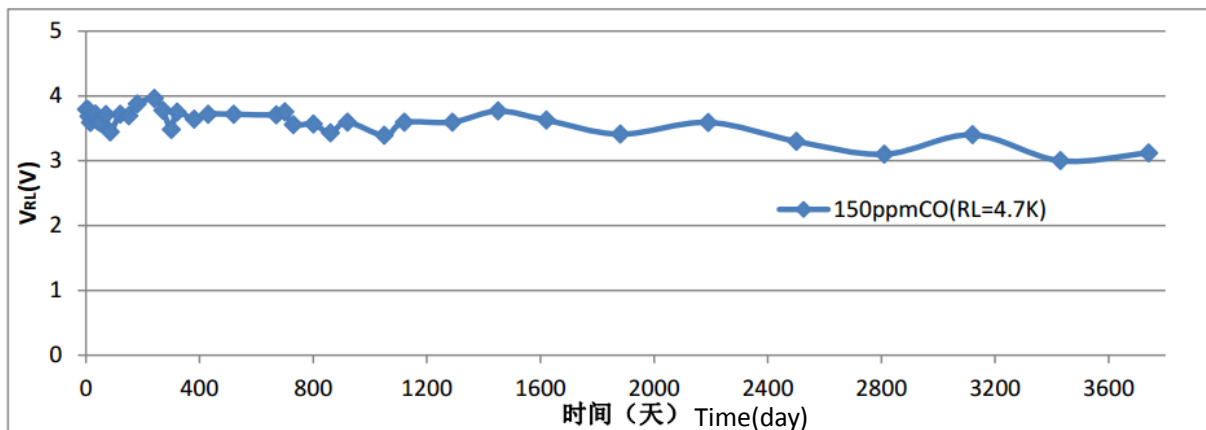


Fig7.long-term Stability

Test is finished in standard test conditions, the abscissa is observing time and the ordinate is V_{RL} .

Cautions

1 .Following conditions must be prohibited

1.1 Exposed to organic silicon steam

Sensing material will lose sensitivity and never recover if the sensor absorbs organic silicon steam. Sensors must avoid exposing to silicon bond, fixture, silicon latex, putty or plastic contain silicon environment.

1.2 High Corrosive gas

If the sensors are exposed to high concentration corrosive gas (such as H_2S , SO_x , Cl_2 , HCl etc.), it will not only result in corrosion of sensors structure, also it cause sincere sensitivity attenuation.

1.3 Alkali, Alkali metals salt, halogen pollution

The sensors performance will be changed badly if sensors be sprayed polluted by alkali metals salt especially brine, or be exposed to halogen such as fluorine.

1.4 Touch water

Sensitivity of the sensors will be reduced when spattered or dipped in water.

1.5 Freezing

Do avoid icing on sensor's surface, otherwise sensing material will be broken and lost sensitivity.

1.6 Applied higher voltage

Applied voltage on sensor should not be higher than stipulated value, even if the sensor is not physically damaged or broken, it causes down-line or heater damaged, and bring on sensors' sensitivity characteristic changed badly.

1.7 Voltage on wrong pins

For 6 pins sensor, Pin 2&5 is heating electrodes, Pin (1,3)/(4,6) are testing electrodes (Pin 1 connects with Pin 3, while Pin 4 connects with Pin 6). If apply voltage on Pin 1&3 or 4&6, it will make lead broken; and no signal putout if apply on pins 2&4.

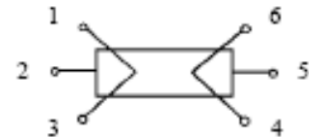


Fig8. Lead sketch

2 .Following conditions must be avoided

2.1 Water Condensation

Indoor conditions, slight water condensation will influence sensors' performance lightly. However, if water condensation on sensors surface and keep a certain period, sensors' sensitive will be decreased.

2.2 Used in high gas concentration

No matter the sensor is electrified or not, if it is placed in high gas concentration for long time, sensors characteristic will be affected. If lighter gas sprays the sensor, it will cause extremely damage.

2.3 Long time storage

The sensors resistance will drift reversibly if it's stored for long time without electrify, this drift is related with storage conditions. Sensors should be stored in airproof bag without volatile silicon compound. For the sensors with long time storage but no electrify, they need long galvanical aging time for stability before using. The suggested aging time as follow:

Stable2.

Storage Time	Suggested aging time
Less than one month	Not less than 48 hours
1 ~ 6 months	Not less than 72 hours
More than six months	Not less than 168 hours

2.4 Long time exposed to adverse environment

No matter the sensors electrified or not, if exposed to adverse environment for long time, such as high humidity, high temperature, or high pollution etc., it will influence the sensors' performance badly.

2.5 Vibration

Continual vibration will result in sensors down-lead response then break. In transportation or assembling line, pneumatic screwdriver/ultrasonic welding machine can lead this vibration.

2.6 Concussion

If sensors meet strong concussion, it may lead its lead wire disconnected.

2.7 Usage Conditions

2.7.1 For sensor, handmade welding is optimal way. The welding conditions as follow:

- Lead-free and halogen-free soldering flux
- homothermal soldering iron

- Temperature: $\leq 350^{\circ}\text{C}$
- Time: less than 3 seconds

If disobey the above using terms, sensors sensitivity will reduce.

Zhengzhou Winsen Electronics Technology Co., Ltd

Add: No.299, Jinsuo Road, National Hi-Tech Zone,
Zhengzhou 450001 China

Tel: +86-371-67169097/67169670

Fax: +86-371-60932988

E-mail: sales@winsensor.com

Website: www.winsen-sensor.com