



PH Water Quality Sensor Module

(Model: ZW-PH101)

Manual

Version: 1.2

Valid From: 2021-12-16

Zhengzhou Winsen Electronic Technology Co., Ltd

Statement

This manual copyright belongs to Zhengzhou Winsen Electronics Technology Co., LTD. Without the written permission, any part of this manual shall not be copied, translated, stored in database or retrieval system, also can't spread through electronic, copying, record ways.

Thanks for purchasing our product. In order to let customers use it better and reduce the faults caused by misuse, please read the manual carefully and operate it correctly in accordance with the instructions. If users disobey the terms or remove, disassemble, change the components inside of the sensor, we shall not be responsible for the loss.

The specific such as color, appearance, sizes &etc, please in kind prevail.

We are devoting ourselves to products development and technical innovation, so we reserve the right to improve the products without notice. Please confirm it is the valid version before using this manual. At the same time, users' comments on optimized using way are welcome.

Please keep the manual properly, in order to get help if you have questions during the usage in the future.

Zhengzhou Winsen Electronics Technology CO., LTD

ZW-PH101 water quality sensor module

Profile

The ZW-PH101 water quality sensor module is a universal module that uses electrochemical principles to detect the H⁺ content in water, with good selectivity and stability. Using the digital signal output, very easy to use. ZW-PH101 is designed and manufactured with mature electrochemical detection technology closely combined with sophisticated circuit design.



Sensor characteristics

Low power consumption, high accuracy, linear output, easy calibration and excellent stability.

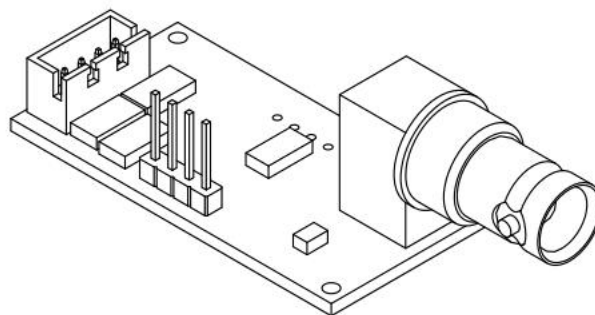
Main application

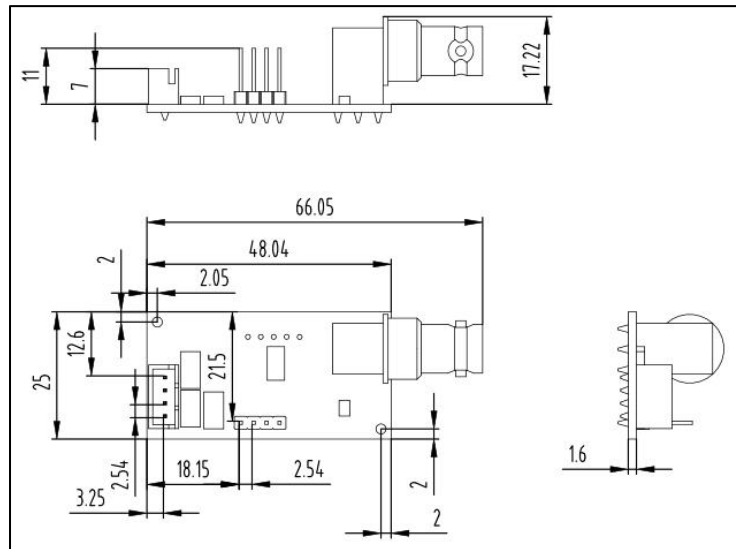
It is widely used for water quality pH detection in laboratory research, water plant water supply, waste-water treatment, aquaculture, farmland irrigation and other fields.

Technical indicators

Items	Parameter
Working voltage	12V(DC)
Consumption	<25mW
Temperature range	0-50°C
Output mode	RS485 (5V)
Output linearity	Linear
Response time	≤30S
Detection Temperature range	0-50°C

Items	Parameter
Measure range	0-14
Resolution ratio	0.02pH
Size	40×25mm
Response time	≤30 s
Output linearity	Linear
Service life	3 years
Working current	<5mA





Note: The tolerance range is $\pm 0.2\text{mm}$

Fig1. Sensor Structure

Table 2. Pin definition

PIN1	VCC
PIN2	GND
PIN3	A
PIN4	B
PIN5	GND
PIN6	RXD (3V TTL level)
PIN7	TXD (3V TTL level)
PIN8	+5V

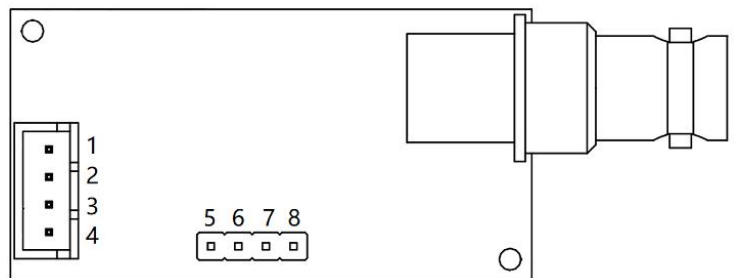


Fig2. Module Pins

Sensor linearity

The sensor be placed in standard pH buffer: pH4.01, pH 6.86 and pH 9.18 to record the output of the module as shown in the figure below.

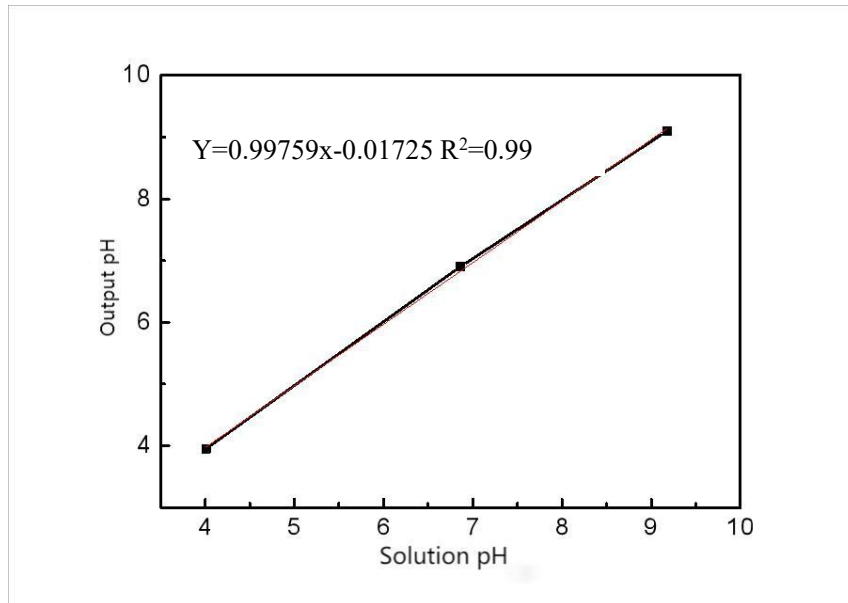


Fig3. Linear sensor curve

Communication Protocol

1.General settings

Baud rate	9600
Data byte	8
Stop byte	1
Check	Null

2.General command

Host-computer software send format

	Type	Instructions	Note
Integer	16 byte	Indicates that high and low bytes are not reversed	For example :0x 0032 turn into the decimal number is 50

Function code specification:

03	Read single or multiple registers
06	Write a single register
16	Write multiple registers

Read the current concentration value sending format:

	Module address	FC	start address	Number of registers	CRC16
--	----------------	----	---------------	---------------------	-------

			High byte	Low byte	High byte	Low byte	Low byte	High byte
Device 1	0X01	0X03	0X00	0X30	0X00	0X01	0X84	0X05

Reply format:

	Module address	FC	Byte number	Reading concentration (Hexadecimal integer)		CRC16	
				High byte	Low byte	Low byte	High byte
Measurement value return	0X01	0X03	0X02	0X04	0X74	0XBA	0XA3

Write the device address sending format:

	Device ID address	FC	Register initial address		Write Equipment address (The HEX integer)		CRC16	
			High byte	Low byte	High byte	Low byte	Low byte	High byte
Device 1	0XFE	0X06	0X00	0X12	0X00	0X01	0XFC	0X00

Reply format:

	Module address	Function Code	Register initial address		Equipment address (Hexadecimal integer)		CRC16	
			High byte	Low byte	High byte	Low byte	Low byte	High byte
Device 1	0X01	0X06	0X00	0X12	0X00	0X01	0XE8	0X0F

The calibration of the sensor:

	Device ID address	FC	Register address		Write zero point concentration value (The HEX integer)		CRC16	
			High byte	Low byte	High byte	Low byte	Low byte	High byte
pH4.01	0X01	0X06	0X00	0X32	0X01	0X91	0XE8	0X39
pH6.86	0X01	0X06	0X00	0X33	0X02	0XAE	0XF9	0X19
pH9.18	0X01	0X06	0X00	0X34	0X03	0X96	0X48	0X9A

3.Check and calculation

/*****

Name: crc16 verification

Tel: 86-371-67169097/67169670 Fax: 86-371-60932988

Email: sales@winsensor.com

Leading sensing solutions supplier in China!

Function: crc16 verification

Enter: (byte pointer)*ptr, (data length) len

Return: (double byte) crc

*****/

uint16_t getCRC16_485(volatile unsigned char* ptr, unsigned char len)

```
{
    unsigned char i;
    uint16_t crc = 0xFFFF;
    while (len--)
    {
        crc ^= *ptr;
        for (i = 0; i < 8; i++)
        {
            if (crc & 1)
            {
                crc >>= 1;
                crc ^= 0xA001;
            }
            else
            {
                crc >>= 1;
            }
        }
        ptr++;
    }
    return(crc);
}
```

Precautions

1. The module shall avoid contact with organic solvents, coatings, agents and oils.
2. Do not apply the module to systems involving personal safety.
3. Do not install the module in a strong air convection environment.
4. The module shall not withstand excessive impact or vibration, and can not shake during use, otherwise the value returned will be inaccurate.
5. Please supply the module in strict accordance with the power supply voltage of the module. The voltage exceeding 12V will lead to irreversible damage to the module.
6. Do not place the module in a strong air convection environment.
7. Do not place the module in a high concentration of organic gas for a long time.

Zhengzhou Winsen Electronics Technology Co., Ltd
Add: No.299, Jinsuo Road, National Hi-Tech Zone,
Zhengzhou 450001 China
Tel: +86-371-67169097/67169670
Fax: +86-371-60932988
E-mail: sales@winsensor.com