



# Diffused Silicon Pressure Transmitter

## (Model No. WPCK62)

Zhengzhou Winsen Electronics Technology CO., LTD

## Statement

This manual's copyright belongs to Zhengzhou Winsen Electronics Technology Co., LTD. Without the written permission, any part of this manual shall not be copied, translated, stored in database or retrieval system, also can't spread through electronic, copying, record ways.

Thanks for purchasing our products. In order to have customers use it better and reduce the faults caused by misuse, please read the manual carefully and operate it correctly in accordance with the instructions. If users disobey the terms or remove, disassemble, change the components inside of the sensor, we shall not be responsible for the loss.

The specific such as color, appearance, sizes &etc., please in kind prevail.

We are devoting ourselves to products development and technical innovation, so we reserve the right to improve the products without notice. Please confirm it is the valid version before using this manual. At the same time, users' comments on optimized using way are welcome.

Please keep the manual properly, in case you need help during the usage in the future.

**Zhengzhou Winsen Electronics Technology CO., LTD.**

## WPCK62 Diffused Silicon Pressure Transmitter

### Product Description

WPCK62 general type diffused silicon pressure transmitter is a small and light weight pressure transmitter, which is cost-effective and simple for installation.

The pressure core is made by WINSEN, through highly reliable amplification circuit and precise temperature compensation, the pressure of the measured medium is converted into a standard current signal.

The integrated stainless steel structure improves the overall anti-corrosion performance. It can meet requirements of pressure measurement and control in various environmental conditions.

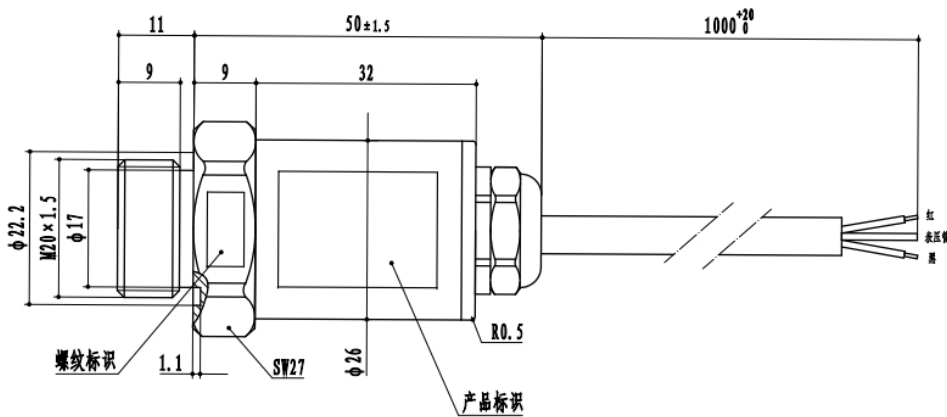
WPCK62 pressure transmitter has various output forms and pressure interface which can be customized according to your requirements. This transmitter can be widely used in water pumps, Intelligent water supply, air compressor, automobile, air conditioner, water treatment, pneumatic hydraulic control and etc.



Basic Parameter Index		
Pressure range	0~35kPa...25MPa	
Pressure Reference	Gauge Pressure/Absolute Pressure/Sealed Gauge Pressure	
Output	4-20mA	Optional
Accuracy	±0.5%FS	
Temperature Drift	≤ ±1.5%FS (-20℃~85℃)	
Hysteresis and Repeatability	≤ ±0.1%FS	
Thread	M20*1.5	Optional
Electrical Connection	Cable	
Temperature Compensation	-30℃-100℃	
Environment Temperature	-20℃-85℃	

<b>Response Time</b>	<4ms	
<b>Housing material</b>	SS 304	
<b>Diaphragm Material</b>	SS 316L	
<b>Vibration Resistance</b>	Impact: 200g/1ms	
	Free fall: 1m	
<b>Protection Level</b>	IP65	
<b>Insulation Resistance</b>	$\geq 100M \Omega / 500VDC$	
<b>Weight</b>	150g~230g	

**Structure**



**Electrical Connection**

Wire	Color	Electrical Definition (2 Wires)
1	Black	Power: V+
2	Red	Output: OUT

Power Supply	Output	Note
18-28VDC	4-20mA	

## Pressure Range

Pressure Range Code	Pressure Reference	Pressure Range	Over Pressure	Burst Pressure
35k	G	0~35kPa	300%FS	600%FS
70k	G	0~70kPa	300%FS	600%FS
100k	G、A	0~100kPa	200%FS	500%FS
160k	G	0~160kPa	200%FS	500%FS
250k	G、A	0~250kPa	200%FS	500%FS
500k	G	0~500kPa	200%FS	500%FS
1M	G	0~1MPa	200%FS	500%FS
1.6M	S	0~1.6MPa	200%FS	500%FS
2.5M	S	0~2.5MPa	200%FS	500%FS
4M	S	0~4MPa	200%FS	400%FS
6M	S	0~6MPa	200%FS	300%FS
10M	S	0~10MPa	200%FS	300%FS
16M	S	0~16MPa	150%FS	200%FS
25M	S	0~25MPa	150%FS	200%FS

## Cautions

1. Please pay attention to the compatibility between the measured medium and the contact part of the product when selecting the model;
2. If other options are selected, specific requirements shall be indicated;
3. If there are special requirements for the performance, parameters and functions of the product, please contact us;
4. Do not use hard objects to contact the inside of the pressure inlet hole, otherwise it will cause irreparable wear of the diaphragm;
5. Be sure to pay attention to the wiring definition of the cable, and do not connect it reversely or wrongly, otherwise the product will become invalid. The damage caused by wiring shall be borne by the user;