



# 4-in-1 Industrial Gas Detection Module

User's Manual V1.0

(Model: ZCE04B)

Valid from: 2020-09-10

Zhengzhou Winsen Electronics Technology Co., Ltd

## Statement

This manual copyright belongs to Zhengzhou Winsen Electronics Technology Co., LTD. Without the written permission, any part of this manual shall not be copied, translated, stored in database or retrieval system, also can't spread through electronic, copying, record ways.

Thanks for purchasing our product. In order to let customers use it better and reduce the faults caused by misuse, please read the manual carefully and operate it correctly in accordance with the instructions. If users disobey the terms or remove, disassemble, change the components inside of the sensor, we shall not be responsible for the loss.

The specific such as color, appearance, sizes ...etc., please in kind prevail.

We are devoting ourselves to products development and technical innovation, so we reserve the right to improve the products without notice. Please confirm it is the valid version before using this manual. At the same time, users' comments on optimized using way are welcome.

Please keep the manual properly, in order to get help if you have questions during the usage in the future.

Zhengzhou Winsen Electronics Technology CO., LTD

## 4-in-1 Industrial Gas Detection Module ZCE04B

The 4-in-1 detection module ZCE04B is mainly aimed at various places where ambient gas detection is required. The product contains four gas sensors (expandable for CO, H<sub>2</sub>S, O<sub>2</sub> and CH<sub>4</sub> gases) and a signal processing circuit board. The module has good selectivity and stability. The module can output the current concentration values of the four gases in real time through the digital serial port output. It can be used in handheld devices or fixed devices to detect the current concentration of ambient gas. This module is a general-purpose miniaturized product that closely combines mature sensor detection technology and sophisticated circuit design.

### Features

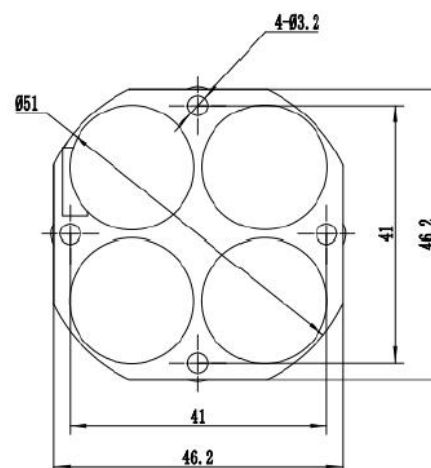
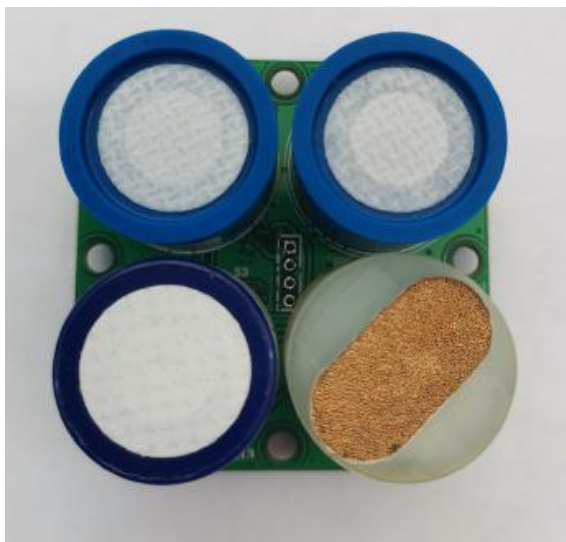
High integration, small size,  
Good stability and fast response  
Real-time serial port output concentration, easy to use



### Main Application

It can be used in the environment of factory gas leakage, underground operation, tunnel detection, coal mine detection and so on. It can be worn by human body or hand-held into the detection place, or it can be used in fixed place to detect the current environmental gas concentration and remind personnel to be safe.

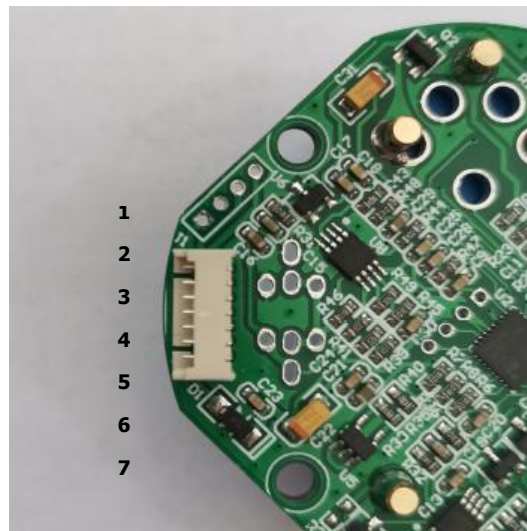
### Technical Parameters



<b>Model no</b>	<b>ZCE04B</b>
Detection Gas	CO: 0-1000ppm H2S: 0-100ppm O2: 0-30%vol CH4: 0-100%LEL
Resolution	CO: 1ppm H2S: 1ppm O2: 0.1%vol CH4: 1%LEL
Working voltage	3.5-5V
Working current	<100mA
Response time	<30s
Output way	UART (2.8V level)
Working conditions	-20~50℃ , 15~90%RH
Storage temperature	0~20℃ (recommended)
Expected lifespan	2 year(in clean air)

**Pins definition**

Pin No.	Function
Pin1	EN_485
Pin2	RX
Pin3	TX
Pin4	VCC
Pin5	GND
Pin6	reserved
Pin7	reserved



## Cautions

1. The module is connected by terminal blocks, and it is forbidden to weld on the module at will.
2. The sensor attached to the module is strictly prohibited to be replaced without authorization.
3. When the module is used for the first time or has not been used for a long time, it must be aged for 24 hours to ensure the accuracy of the sensor.
4. Do not apply this module to systems involving personal safety.
5. The module has been calibrated before leaving the factory. After that, it should be periodically calibrated according to the usage and the exposure of the equipment to harmful gases or pollutants.
6. When the module reading exceeds the measurement range, it indicates that the target gas concentration may have reached explosive and severely dangerous concentrations.
7. Avoid exposing combustible gas sensors to lead compounds, silicone resins, and chlorinated hydrocarbons. Although some organic vapors (such as leaded gasoline, halogenated hydrocarbons) may poison the sensor and temporarily stop its normal operation, resulting in a decrease in sensitivity, in most cases, calibration can restore its function.
8. Long-term exposure of the module to a certain concentration of combustible gas or toxic and harmful air may increase the load on the sensor and may seriously affect its performance. If the module has alarmed due to ultra-high concentration gas, it should be recalibrated, or the sensor must be returned to the factory if necessary.
9. In some environments, severe electromagnetic interference may cause data deviation or even fluctuation.

**Zhengzhou Winsen Electronics Technology Co., Ltd**

**Add:** No.299, Jinsuo Road, National Hi-Tech Zone,  
Zhengzhou 450001 China

**Tel:** +86-371-67169097/67169670

**Fax:** +86-371-60932988

**E-mail:** [sales@winsensor.com](mailto:sales@winsensor.com)

**Website:** [www.winsen-sensor.com](http://www.winsen-sensor.com)